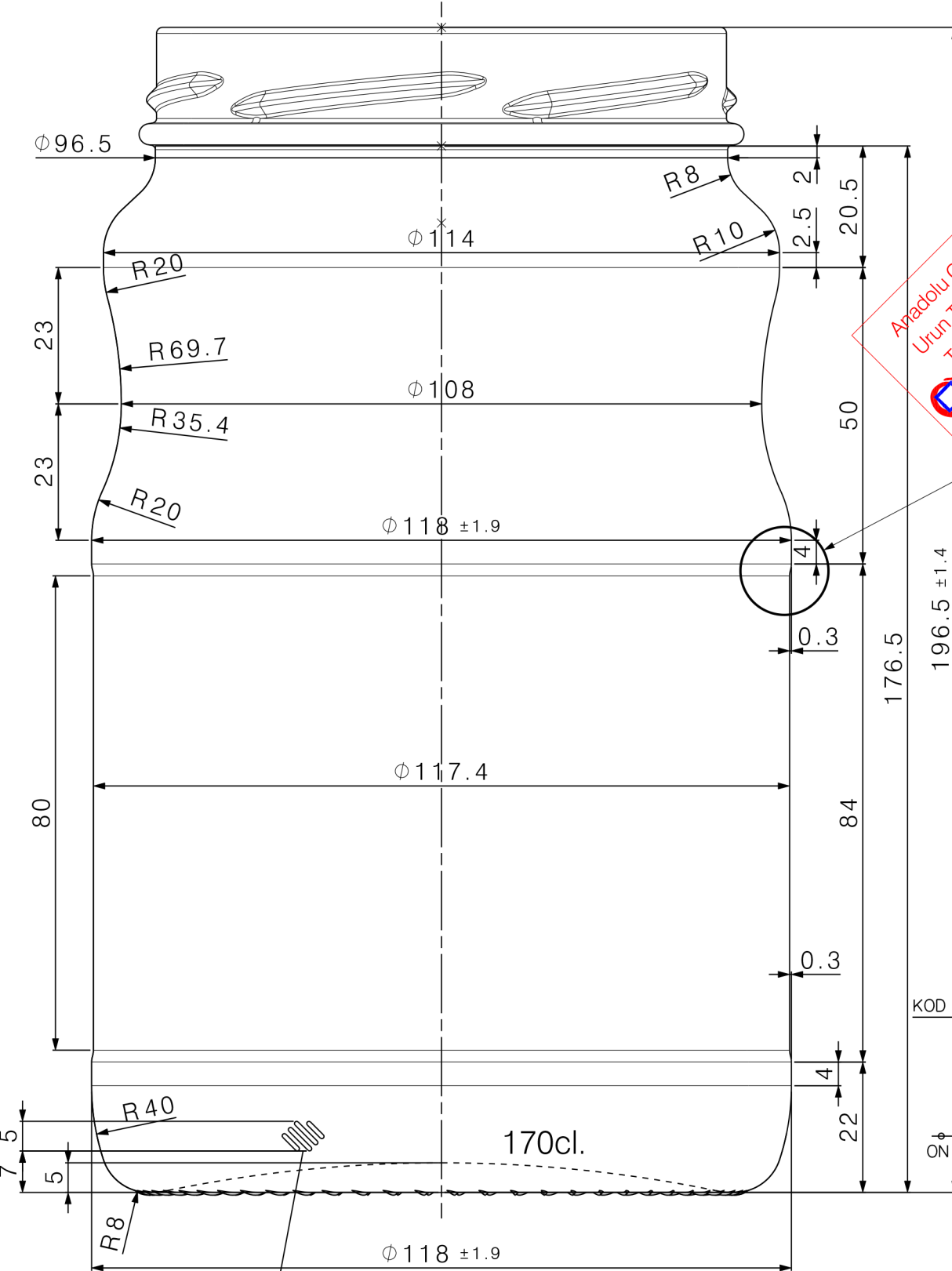


Isometric view
Scale: 2:3



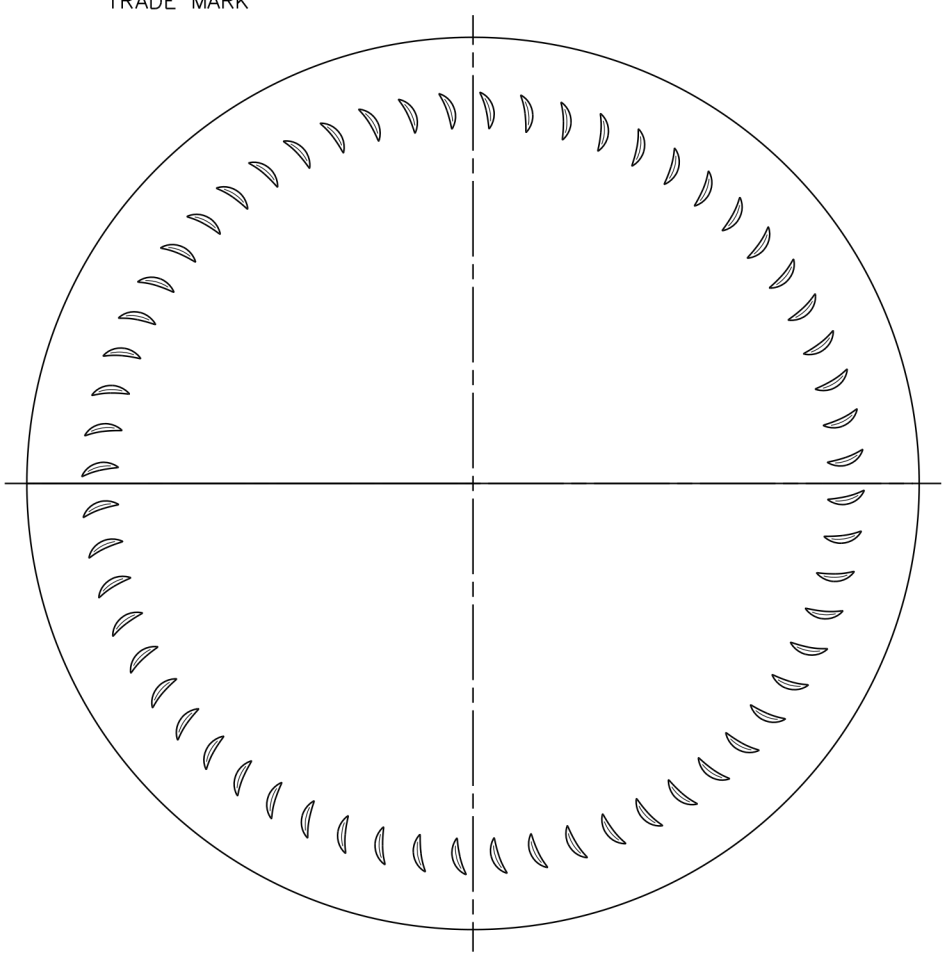
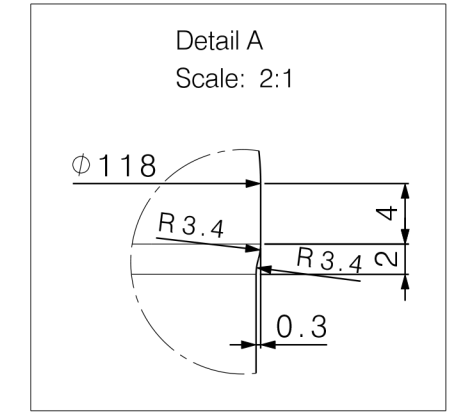
Amadolu Cam Sanayi A.S.
Urun Tasarim Mudurlugu
Tarafindan Cizilmistir.
23.07.2015

KOD OKUMA NOKTALAMASI
DOT CODE

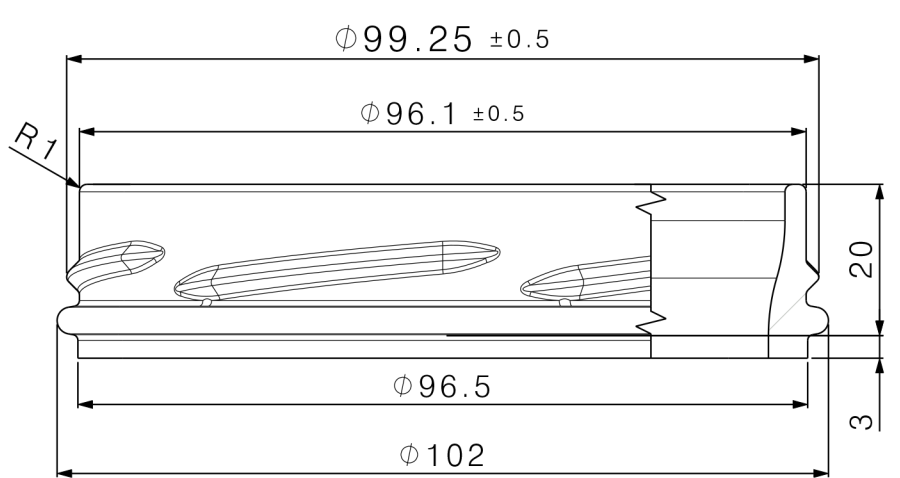
Q
DIGER YARIMDA
ON THE OTHER SIDE

FABRIKA ONAYI ICINDIR
FOR APPROVAL OF PRODUCER
23.07.2015

KALIP NO
MOLD NO



100TO FD 165 -1
OLCEK/SCALE 1/1



DEYAYLAR ICIN LUTFEN WGF-165S-2007A STD INA BAKINIZ. /
FOR DETAILS PLEASE CHECK WGF-165S-2007A STANDARTS.

