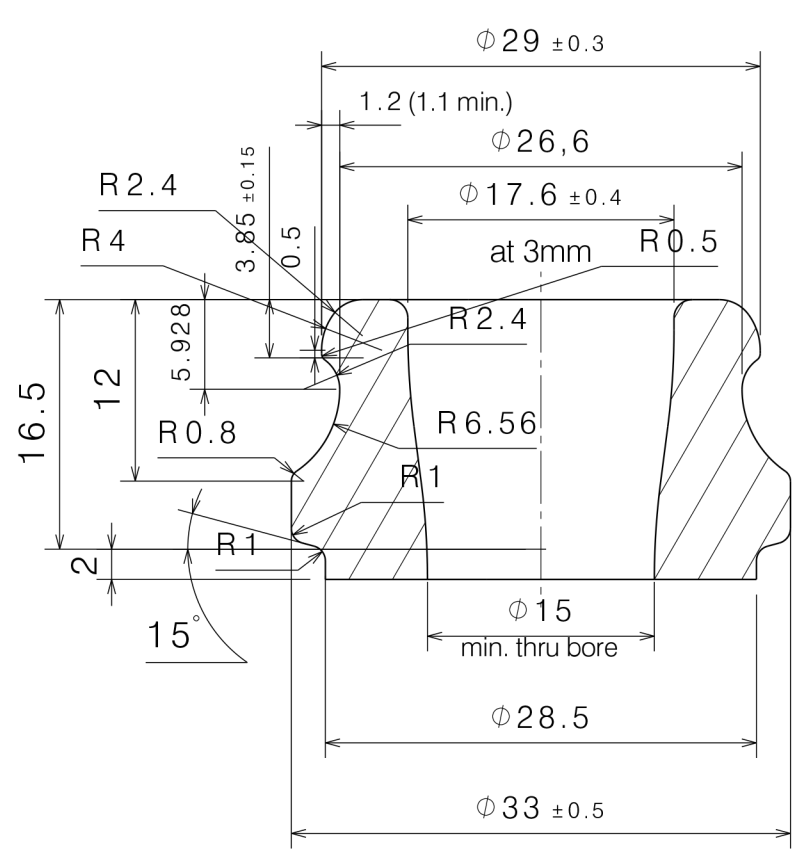


*TIRTIL YUKSEKLİĞİ DAHİL/INCLUDING STIPLING HEIGHT

287 ± 1.7

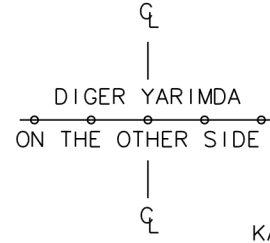


FASCETTA CORONA 29 H 16.5 - (BC28.5)

Scale: 2:1



KOD OKUMA NOKTALAMASI
DOT CODE



KALIP NO
MOLD NO

NOKTA GRAVUR (FABRIKA
İSTEGİNE BAĞLIDIR)
KNURLING AT PLANT
DISCRETION

